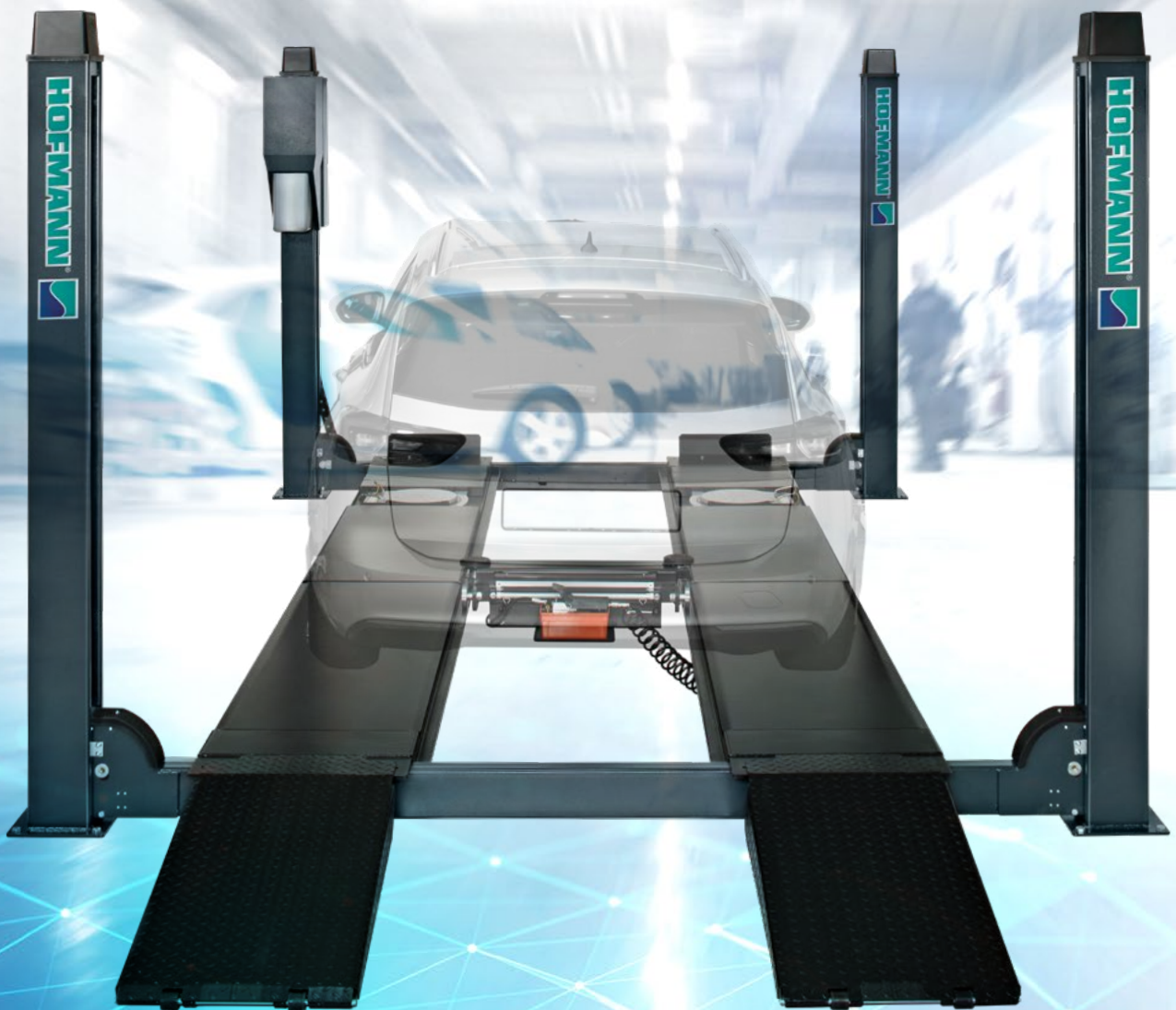


HOFMANN® 

quattrolift® 4000



FOUR-POST ALIGNMENT LIFT

ENGINEERING UNLEASHED™

quattrolift® 4000

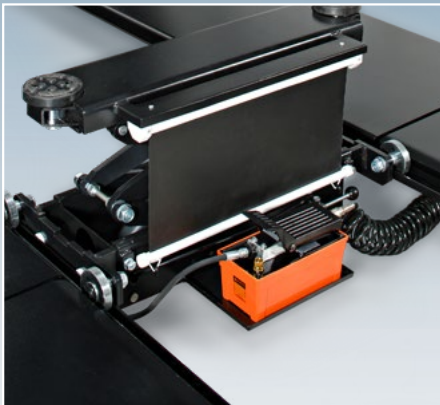
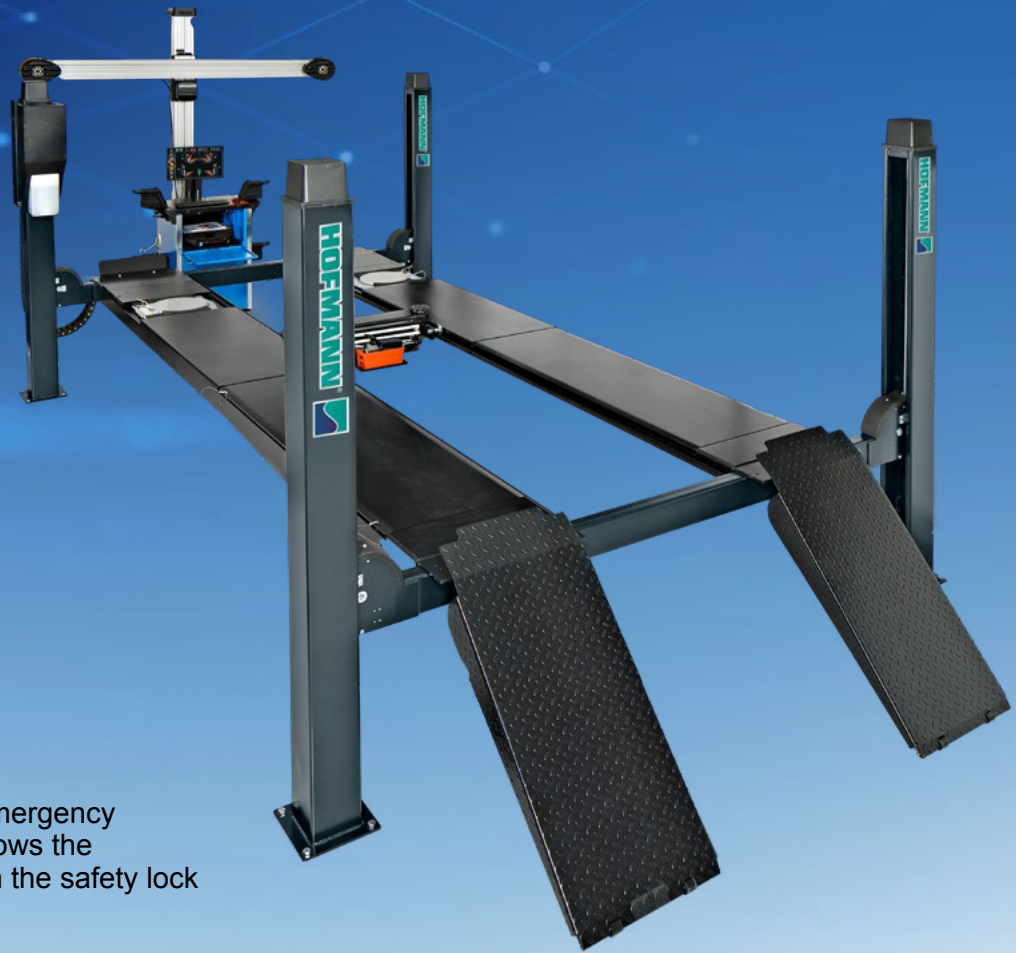
The Quattrolift 4000 WA, together with the wide range of Hofmann 3D wheel aligners, offers the perfect combination for wheel alignment of all vehicles from passenger cars, SUV's, transporters up to mid sized vans.

THE ULTIMATE IN PRECISION LIFTING



CONTROL UNIT

Clear and easy to understand, with emergency switch and comfort lowering which allows the automatic release of the carriage from the safety lock when lowering the lift.



JACK (OPTIONAL)

The sliding jack increases versatility as lift also can be used for brake service.



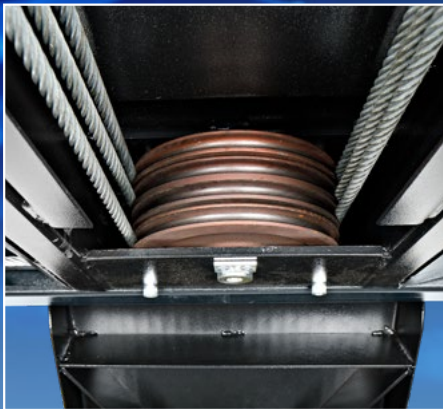
TURNTABLES (OPTIONAL)

The turnplates are perfectly integrated in the runways and can be placed in 3 different positions to support a wide range of wheel bases.



SAFETY LADDER

With safety locks every 100mm to set the runways in the locked position for wheel alignment.



CABLE SYSTEM

The sliding jack increases versatility as lift also can be used for brake service.



REAR SLIP PLATES

The integrated rear slip plates guarantee that a four wheel alignment can be performed on all vehicles with wheel bases from 1.930 mm up to 4.150 mm. For best sliding performance each slip plate is equipped with 3 sections with a total of 120 rollers.



RAMPS

With safety locks every 100mm to set the runways in the locked position for wheel alignment.

Contact your representative and discover the best combination with your favourite Hofmann wheel aligner and turntables as a complete package



geoliner® 630 TILT

geoliner® 670XD



geoliner® 650XD

Turntables and paddle kit included in special packages

quattrolift® 4000



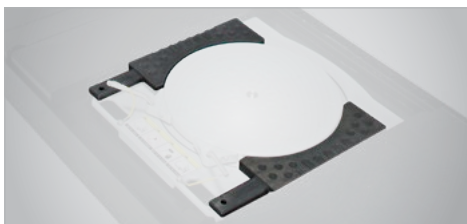
TECHNICAL SPECIFICATIONS

Lifting capacity	4.000 kg
Lifting time	≤ 60 sec.
Lowering time	40 sec.
Lifting height	1.830 mm
Min 4-wheel alignment	1.930 mm
Max 4-wheel alignment	4.150 mm
Length of slip plates	1.980 mm
Column height	2.343 mm
Runway length	5.280 mm
Runway Width	630 mm
Max. total length (without wheel aligner)	6.350 mm
Max. total width	3.310 mm
Max. total height	2.345 mm
Power supply	400 V 50 Hz / 3ph

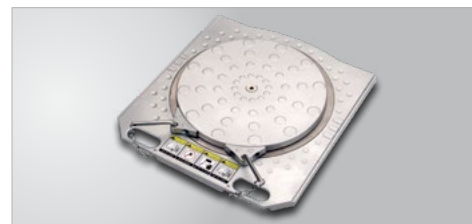
STANDARD ACCESSORIES



JACK FOR QUATTROLIFT



PADDLE KIT FOR PREMIUM TURNTABLE



PREMIUM TURNTABLE KIT

FIND A DISTRIBUTOR

AUSTRIA
+43 2641 24524

FRANCE
+33 134 48 58 78

GERMANY
+49 8634 622 0

ITALY
+39 0522 733 411



Snap-on® Total Shop Solutions offers a wide range of garage equipment solutions for workshops, garages, car dealers and tyre shops, thanks to the specific solutions provided by its portfolio of premium brands. Hofmann® is a brand of TSS and is committed to product innovation and improvement. Therefore, specifications listed in this sell sheet may change without notice. ©2024 Snap-on Incorporated. Hofmann® is a trademark, registered in the United States and other countries, of Snap-on Incorporated. All rights reserved. All other marks are marks of their respective holders. sswa23064 (EU en) 3/2024